
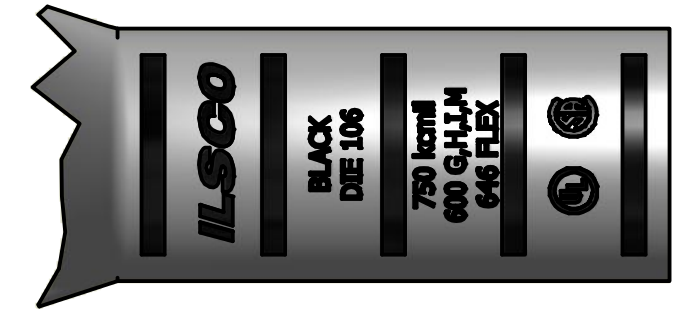
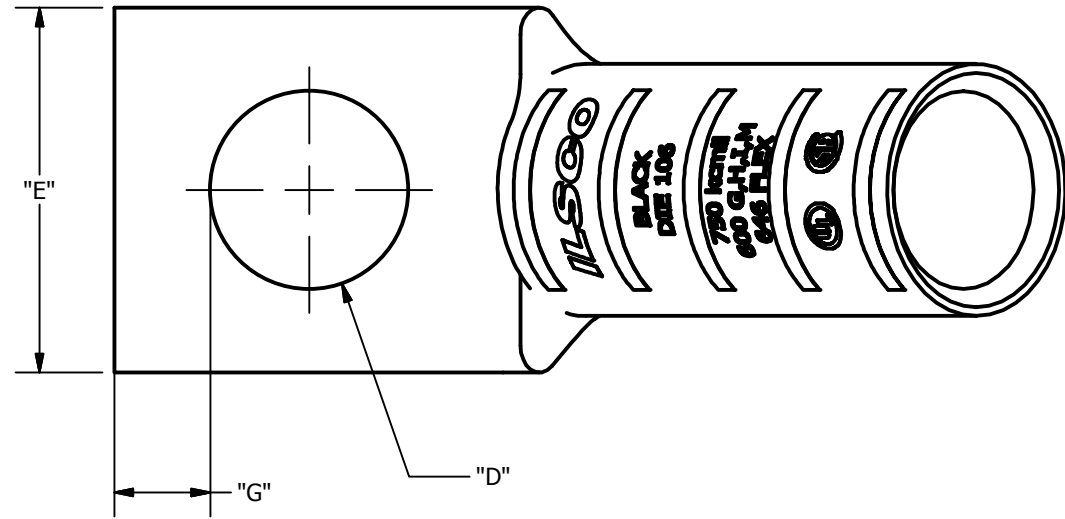
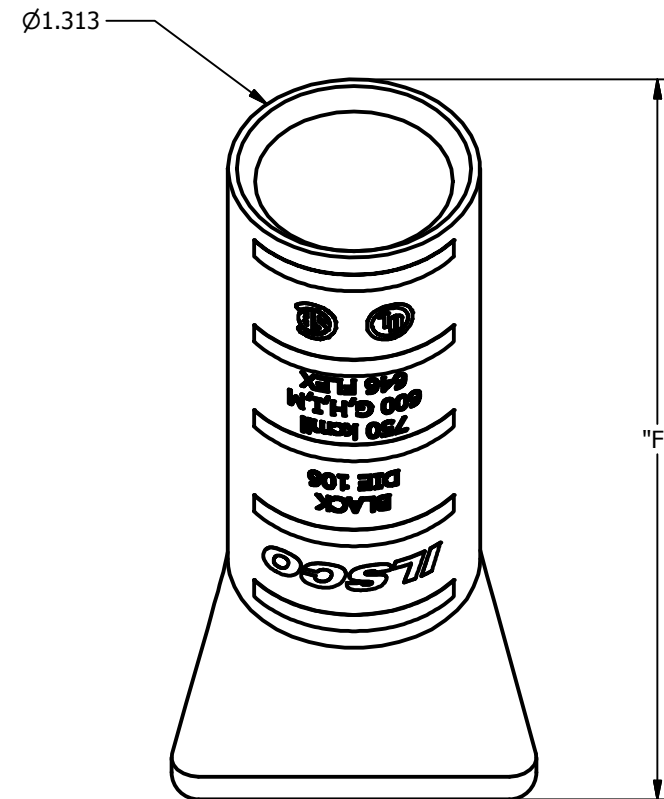
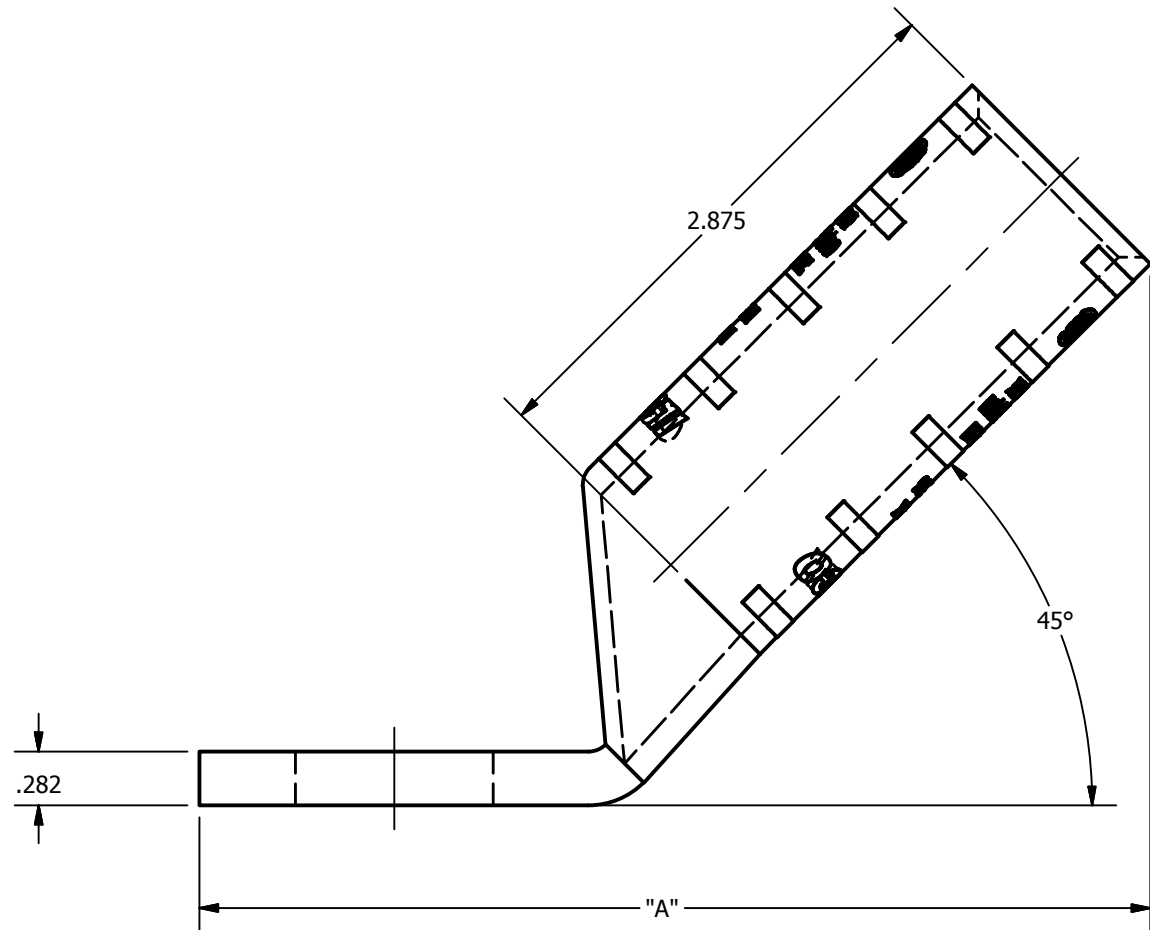


SCREW: NONE	MATERIAL: COPPER	REV: D	 800-776-9775 www.ilSCO.com
CAT. NO.: SEE CHART	PLATING: EL-TIN	DRAWN BY:DW SCALE: NTS	
INFORMATION SHEET:FORM 157	MARKING: SEE CHART	DATE:6/3/2008 SIZE: B	
			DWG NO: Y1903-S-4
			SHEET: 1 OF 1



DETAIL E
INK MARK TOP & BOTTOM



CATALOG NUMBER	"A"	"D"	"E"	"F"	"G"	TANG MARKING
CLNB-750-12-4	4.283	0.562	1.901	3.791	0.265	UL, ILSCO, CSA, CLNB-750-12-4, 1/2, 750 kcmil, 600/646 FLEX, DIE 106
CLNB-750-58-4	4.470	0.656	1.901	3.791	0.343	UL, ILSCO, CSA, CLNB-750-58-4, 5/8, 750 kcmil, 600/646 FLEX, DIE 106
CLNB-750-34-4	4.720	0.781	1.901	3.791	0.359	UL, ILSCO, CSA, CLNB-750-34-4, 3/4, 750 kcmil, 600/646 FLEX, DIE 106
CLNB-750-78-4	4.970	0.906	1.901	3.791	0.437	UL, ILSCO, CSA, CLNB-750-78-4, 7/8, 750 kcmil, 600/646 FLEX, DIE 106
CLNB-750-38-4	4.283	0.406	1.901	3.791	0.211	UL, ILSCO, CSA, CLNB-750-38-4, 3/8, 750 kcmil, 600/646 FLEX, DIE 106
CLNB-750-1-4	5.158	1.031	1.901	3.791	0.500	UL, ILSCO, CSA, CLNB-750-1-4, 1, 750 kcmil, 600/646 FLEX, DIE 106